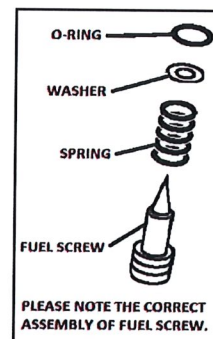
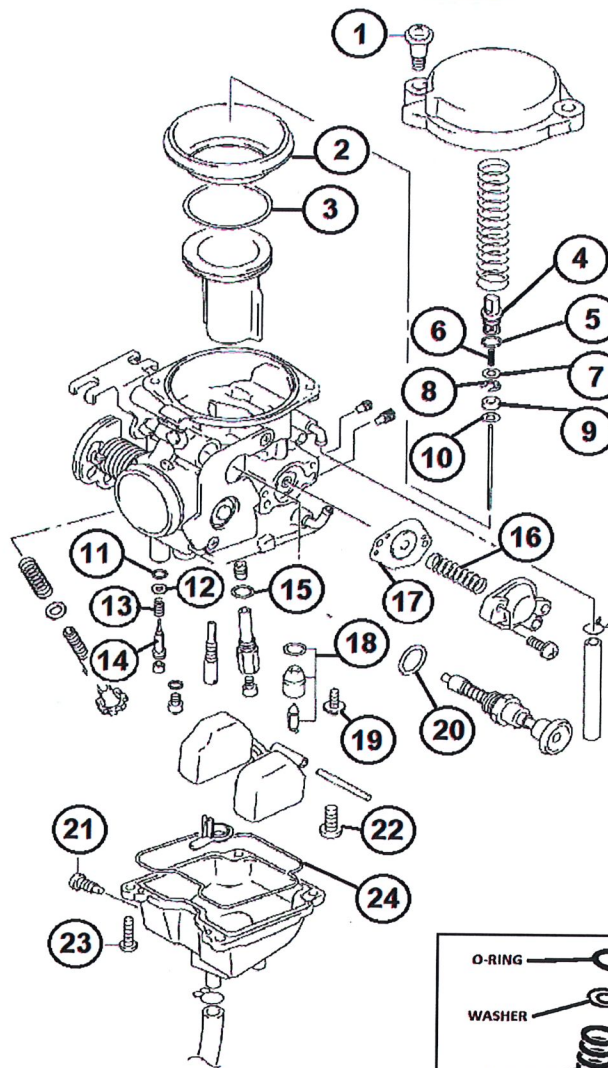


ITEM	QTY	DESCRIPTION
1	2	SCREW
2	1	DIAPHRAGM
3	1	RING
4	1	HOLDER
5	1	O-RING
6	1	SPRING
7	1	WASHER
8	1	E-CLIP
9	1	RING
10	1	WASHER
11	1	O-RING
12	1	WASHER
13	1	SPRING
14	1	FUEL SCREW
15	1	O-RING
16	1	SPRING
17	1	DIAPHRAGM
18	1	FLOAT VALVE ASSY 2.0
19	1	SCREW
20	1	O-RING
21	1	SCREW, DRAIN
22	1	SCREW, FLOAT PIN
23	4	SCREW, BOWL
24	1	GASKET, BOWL

MK-BSR32-46
1999-2010 Suzuki GZ 250



****REPLACEMENT JET NOTE**

Due to varying model requirements, this kit does not include main jets or pilot jets

If needed, refer to the following

Mikuni Part numbers when acquiring these jets:

Main Jet: N102221-XXXX

Pilot Jet: N1224103-XXXX

MIKUNI AMERICAN CORPORATION

www.mikunipower.com

HEAD OFFICE: 8910 MIKUNI AVENUE
NORTHRIDGE, CALIFORNIA 91324-3496
PHONES: (818) 885-1242
FAX: (818) 993-7387/8